

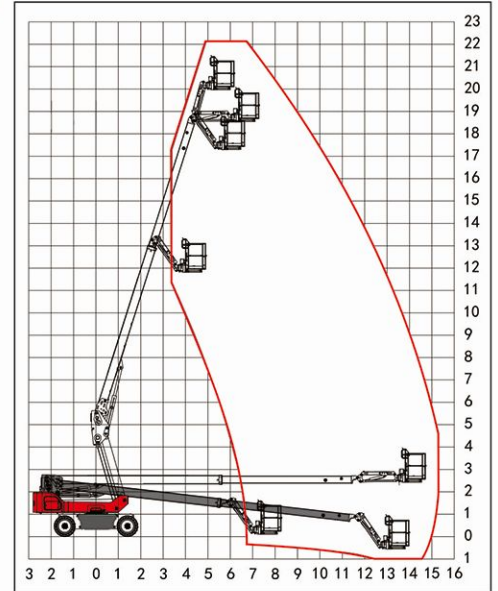
HT SERIES

HT220JE/285JE/350JE

SELF-PROPELLED TELESCOPIC BOOMS

Model	HT 220JE	HT 285JE	HT 350JE
Dimension			
Max. Working Height	22m	28.5m	34.3m
Max. Platform Height	20m	26.5m	32.3m
Max. Outreach	14.05m	21m	18.4m
Maximum horizontal work amplitude	14.65m	21.6m	19m
A Length (stowed)	11.1m	12.05m	15.6m
B Width (stowed)	2.5m	2.5m	2.49m
C Height (stowed)	2.75m	2.8m	2.865m
D Wheelbase	2.8m	3.0m	3.0m
Ground Clearance	0.3m	0.4m	0.33m
Platform Size	2.44*0.9*1.1m		2.4*0.9*1.1m
Performance			
Lift Capacity (Restricted/Unrestricted)	300/230kg	454/300kg	454/300kg
Max. Load number (Restricted/Unrestricted)	3pers/2pers		
Drive Speed (Stowed)	4.8/5 km/h	5.1km/h	5km/h
Drive Speed (Raised)	1.0/1.1 km/h	1.1km/h	1.1km/h
Gradeability (4WD)	30%axle drive/40%	45%	40%
Turntable Rotation (Angle/Continuity)	360°continuous	360°continuous	360°continuous
Platform Rotation	180°	180°	180°
Max. Tilt Angle	5°	5°	5°
Turning Radius (Inside/Outside)	m/driving axle 1.35/3.6 1.9/3.9	3.6/6.88m	3.6/6.88m
	1.6m	1.8m	1.55m
Max. Lateral Force (Restricted/Unrestricted)	400N	400N	400N
Max. Wind Speed	12.5m/s	12.5m/s	12.5m/s
Tire Specification/ Type	355/55D625 (foam filled tire) 36×14-20 (solid tire)	15-625 (foam filled tire)	15-625 (foam filled tire)
Power			
Drive wheels number x Steering wheels number	4×4driving axle/4×2	4×2	4×2
Hydraulic Tank Capacity	140L		200L
Battery Specifications	axle drive80V-390Ah 48V / 460 Ah (Lead acid battery) 48V / 460 Ah (Lithium battery)	80V460AH (Lithium battery) 100-240V AC/80A	80V460AH (Lithium battery) 100-240V AC/80A
Charger (Input Voltage/Output Current)	48V60A	80V80A	100-240V AC/80A
Weight			
Total Weight	11500/11100kg	18350kg	19500kg

HT220JE



HT285JE

